



MC2120 - MC1120

SOIL MIXERS



MACHINE DESCRIPTION

The soil mixers MC2120 - MC1120 gets ready in few minutes an excellent mixture, reducing the working time and saving costs.

The formidable combination of two spirals ensures an excellent mixture with products of various specific weight: soil, sand, bark, fertilizer, vermiculite, perlite, clay and water.



Shaft-mounted gearbox made by an important Italian company; the gearbox is **directly connected to the spiral rotor** avoiding organs transmission, which means **reliability and saving of maintenance**.



Elevator belt with **probes**.

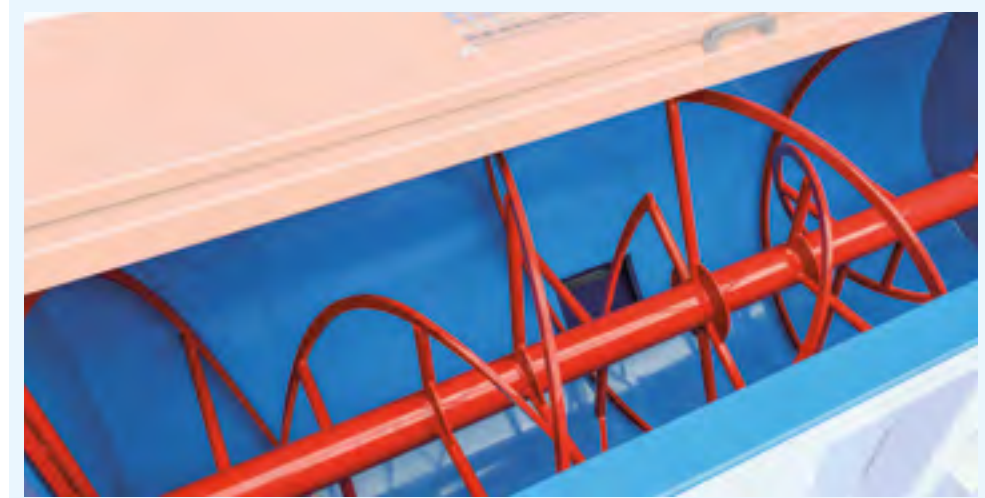
TECHNICAL DATA	M.U.	MC2120	MC1120
HOPPER CAPACITY (max)	l	2100	1150
CYCLE CAPACITY (medium)	l	1900	900
DIAMETER OF THE ROTOR	mm	1000	800
ROTOR	rpm	22	23
POWER ROTOR MOTOR	kW - Nm	9,3 - 3840	4 - 1681
WATER CONSUMPTION at 1 bar	l/min	120	86
DIMENSIONS OF THE SLIDING DOOR	mm	600X2500	500X2000
INSTALLED POWER	kW	10	4,8
WEIGHT	kg	1350	900





Wheels for manual movement (for MC1120).

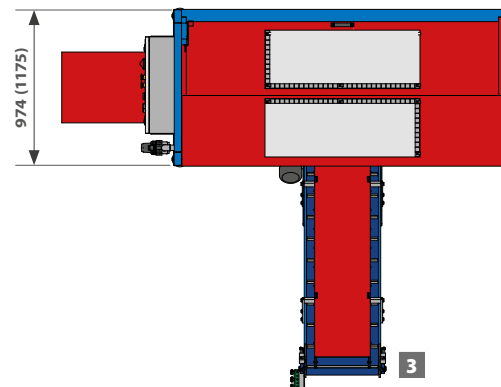
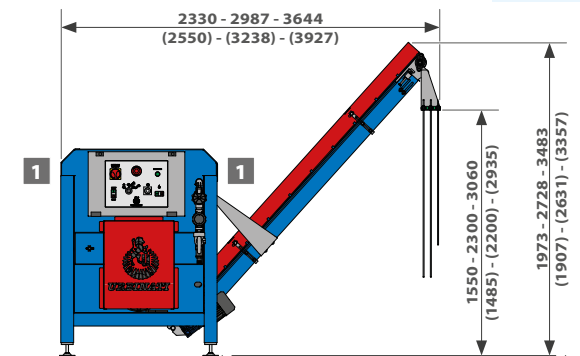
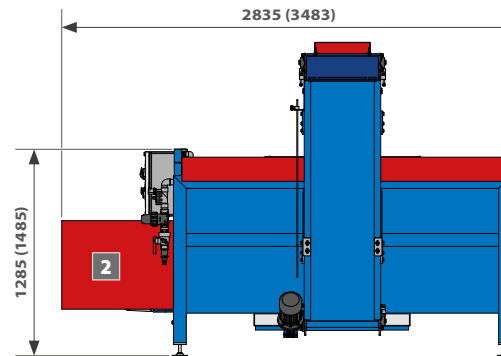
- **Wheels for manual movement:** it make the soilmixer versatile to use it with different machines.
- **Electronic weighting** system.
- **Extended exit belt.**



Rotor with double stainless steel high resistance spiral to reduce the wear.



Control panel equipped with display for the **electronic weighing**.



LEGEND:
MC1120
(MC2120)

TECHNICAL SPECIFICATIONS

- 1 Sliding loading door, load or discharge side.
 - 2 Rotor with double stainless steel high resistance spiral.
 - 3 Discharge with manual or automatic system with level sensor.
- Water consumption with automatic and manual working.
 - Fast lubrication system.